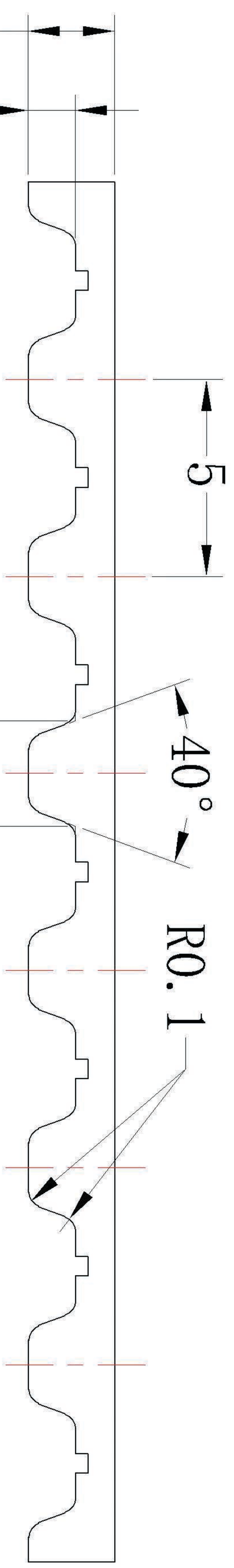


1	2	3	4	5	6	7	8	9	10
角 度: $\pm 0.02^\circ$						APPROVED BY: _____		UNITS: mm SQUARE 2F 2	
REV		CHG NOs		DESCRIPTION				DATE	



2.2
1.2

5

40°

R0.1

2.67

				TITLE T5		CUSTOMER PART NO. 		REF. CONTACT JOB NO. 		REV. 	
THIRD ANGLE PROJECTION FIRST ANGLE CORNER INSIDE		TOLERANCE: 未注公差: ± 0.1 角度: $\pm 0.2^\circ$		DRAWN BY: 黄海东		ECN NO.: 		CHECKED BY: 		SCALE: 1:1	
APPROVED BY: 9		DESCRIPTION 		DATE: 		UNITS: mm		SHEET: 2F		DATE 2	